

★ 2000 Series ★

The Pioneer Plus:

- ★ Patented "X" type outrigger design for superior stability
- ★ 500 degree rotation with no compromise over the front
- ★ Walk-across bridge and excellent operator vision field
- ★ Exclusive 26' to 44' off-set jib (straight or offset 15 and 30 degrees) allows operator to work further "up-and-over"

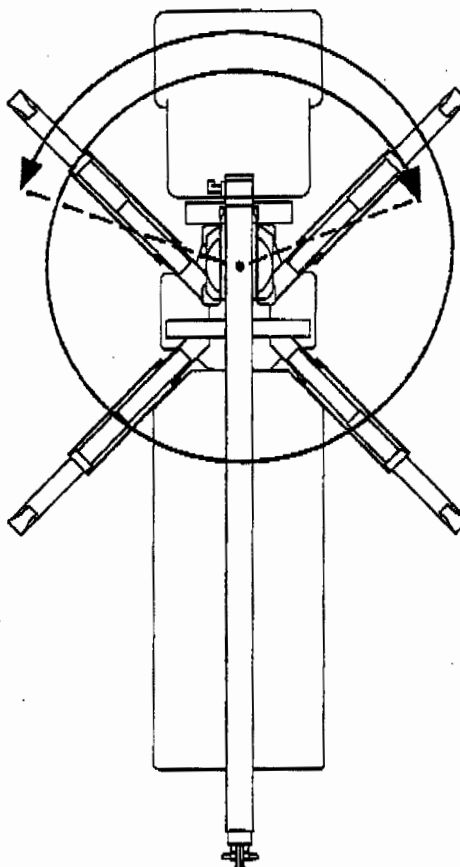
The Pioneer Details:

- ★ 34,000 lb. capacity
- ★ 3-section, 70 ft. proportional boom
- ★ 80' 3" maximum sheave height
- ★ With standard two-stage jib, 123' 3" maximum sheave height

Additional Standard Equipment:

- ★ Dial-a-Swing rotation speed control for maximum fine-tuning
- ★ Radio ATB System
- ★ Capacity Alert System with indicator gauge at each control station
- ★ Dual air actuated foot throttles
- ★ Air Shift PTO
- ★ Winch cable tension roller
- ★ Rear underride bumper
- ★ 75 gallon hydraulic reservoir
- ★ 3-sheave boom tip
- ★ Pioneer installation of your crane

Pioneer Cranes' patented "X" outrigger design gives the crane operator something not previously available in the 50 year history of this industry...full stability over the sides, back, and most important, over the front of the crane...and the outriggers never leave the ground. Pioneer achieves this 360 degree "work zone" without a front bumper outrigger. With Pioneer, you need just one crane to get maximum work-ability!



Pioneer Cranes utilizes the "X" outrigger design and goes one step further. Instead of just 375 degrees of rotation, Pioneer gives the operator a full 500 degree boom rotation. This truly allows working over the front of the unit with no compromise. Compared to other manufacturers, Pioneer gives you full stability and total access to the job site, It's a tough combination to beat.

PIONEER CRANES