

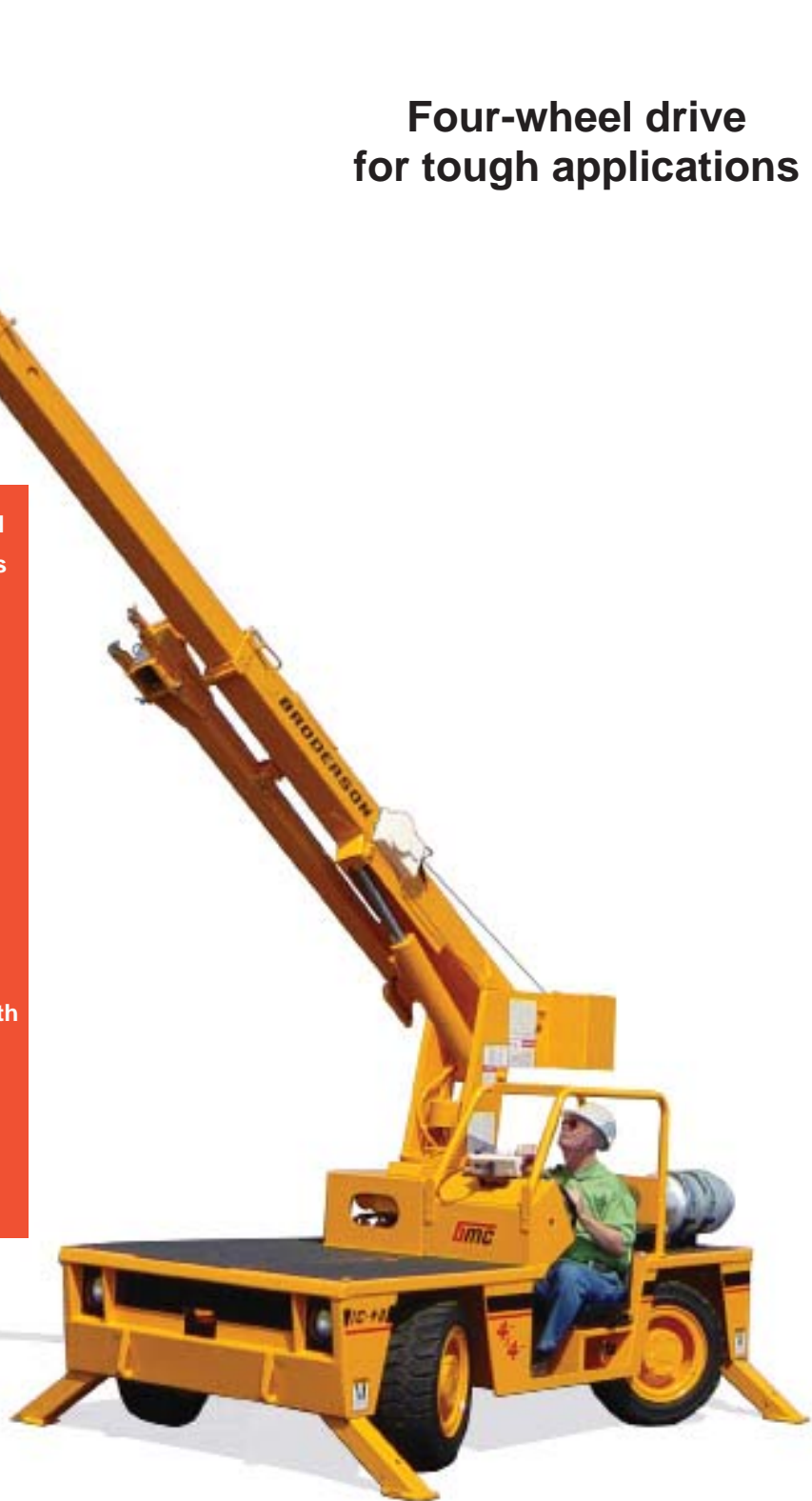
**bmc**  
*Tech Spec*

**IC-40-2B**  
*Industrial Crane*

**Four-wheel drive  
for tough applications**

- Rated Capacity Limiter ... Standard
- Capacity on Outriggers ... 9,000 lbs
- Pick and Carry Capacity ... up to 7,200 lbs
- Height ... 6' 9"
- Width ... 5' 4"
- Boom Rotation ... 360 Degree Continuous
- Sheave Height ... up to 33' 6"
- Horizontal Reach ... up to 27'
- Tight Turning Radius
- 4-Wheel Steer ... Standard
- 4-Wheel Drive ... Standard
- Fully Hydraulic Controls for Smooth Precise Operations
- Independent Outrigger Controls
- Dual Fuel or Diesel Available

**BRODERSON**  
*Manufacturing Corp.*



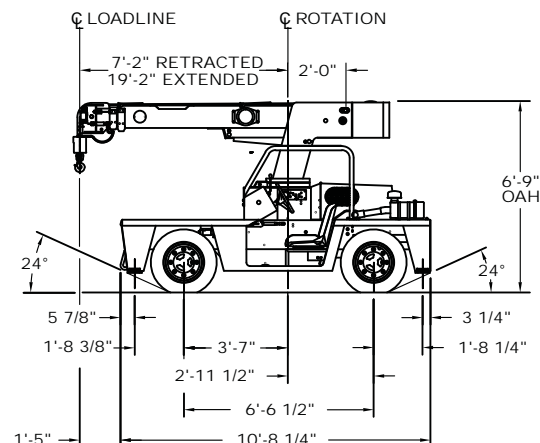
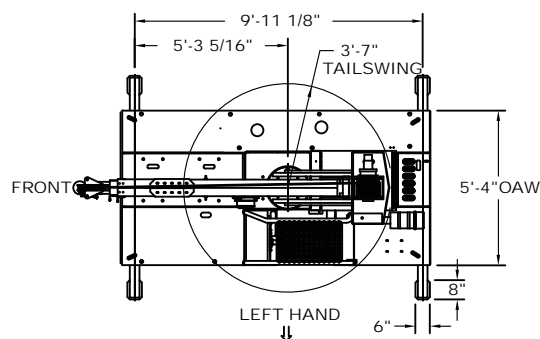
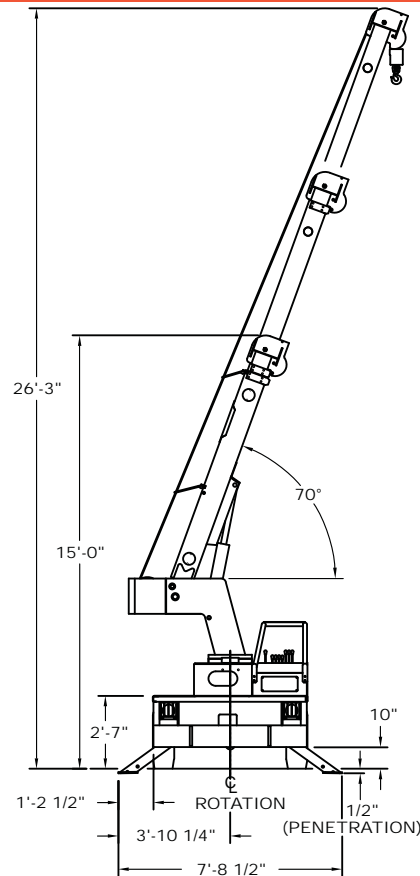
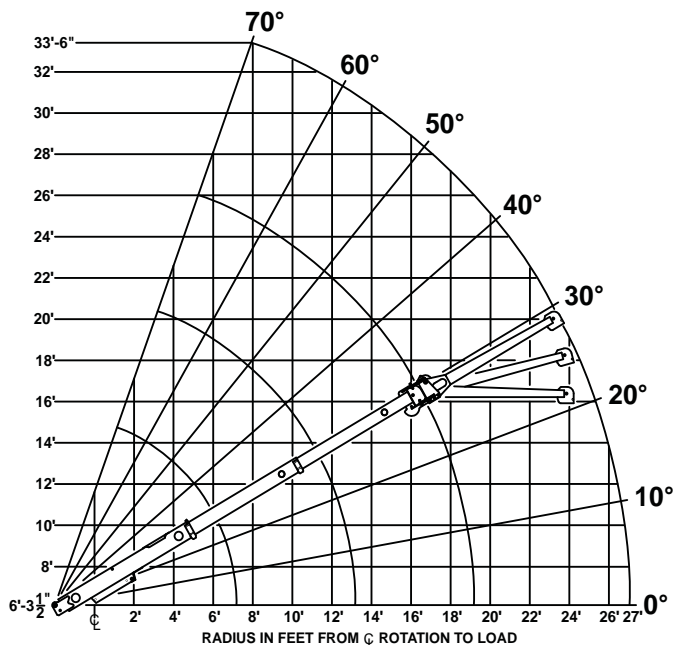
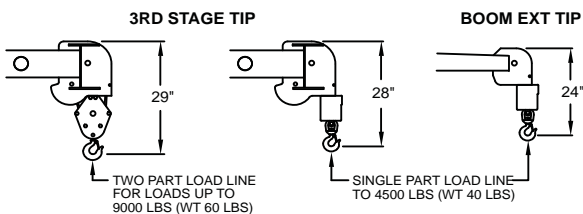
# IC-40-2B

CAPACITIES APPLY TO OPERATION ON FIRM LEVEL SURFACE								
LOAD RADIUS FEET	MAIN BOOM OR EXTENSION CAPACITIES IN POUNDS							
	360° ROTATION		OVER FRONT					
	ON RUBBER	ON OUTRIGGERS	ON RUBBER	ON OUTRIGGERS				
4	7000	8500	7200	9000				
5	5000	7000	6000	7000				
6	3700	5850	5300	5850				
8	2300	4150	4150	4150				
10	1450	3400	3200	3400				
12	1050	2850	2400	2850				
14	900	2350	1900	2450				
16	750	1900	1600	2150				
18	650	1600	1300	1950				
19	600	1450	1150	1850				
20	550	1450	1150	1600				
22	450	1250	1000	1450				
24	400	1050	850	1300				
26	350	850	750	1150				
27	300	750	650	1100				
8' BOOM EXTENSION - 8-FOOT BOOM EXTENSION - STRAIGHT OR OFFSET								
BOOM EXTENSION ANGLE	MAIN BOOM ANGLE							
	0°	10°	20°	30°	40°	50°	60°	70°
+ * 0°	1100	1200	1300	1450	1600	1850	2300	3500
* 15°	—	—	1100	1250	1350	1500	1700	2050
* 30°	—	—	—	1100	1200	1300	1450	1600

+ USE 0° FOR STRAIGHT BOOM EXTENSION.  
\* USE 0°, 15° OR 30° FOR OFFSET BOOM EXTENSION.

CAUTION: BOOM EXTENSION LOADS MUST NOT EXCEED MAIN BOOM CAPACITY. BOOM EXTENSION DEDUCT 100 LBS. WHEN STOWED ON BASE BOOM, DO NOT PICK AND CARRY WITH LOADS ON BOOM EXTENSION.

CAPACITIES ON OUTRIGGERS ARE 85% OF TIPPING LOADS. CAPACITIES ON RUBBER ARE 75% OF TIPPING LOADS. CAPACITIES BELOW **BOLD** LINE ARE LIMITED BY TIPPING. OTHER CAPACITIES ARE LIMITED BY STRUCTURAL OR HYDRAULIC CAPABILITIES. MAXIMUM HYDRAULIC PRESSURE 2600 PSI.



# IC-40-2B

## Specifications

**GENERAL:**

<b>Weight</b>	8,900 lb	
<b>Travel Speed</b>	0 to 10 mph	
<b>Drawbar Pull</b>	2,000 lbs	
<b>Gradeability:</b>	24%	
<b>Boom Movement:</b>		
<b>Rotation</b>	Continuous	
<b>Elevation</b>	0° to 70°	
<b>Extension</b>	7' 2" to 19' 2"	
<b>Boom Speeds:</b>		
Rotation	1.4 RPM	
Elevation	17 seconds	
Extension	32 seconds	

**ENGINE:**

<b>Make</b>	GM	Cummins
<b>Model</b>	2.4 L EFI	A2300
<b>Type</b>	Dual Fuel	Diesel
<b>No. Cyl.</b>	4	4
<b>Displacement</b>	2.4 L	2.3L
<b>HP @ Gov. Speed</b>	65 HP	46 HP
<b>EPA Certification</b>	Tier 2	Tier 4
<b>Fuel Tank Capacity</b>	13.5 Gallons	

**HYDROSTATIC PUMP:**

Piston type, direct driven from engine crankshaft. Maximum flow 34 GPM. Maximum pressure 4,000 psi.

**AXLES:****Front Axle:**

Planetary drive/steer axle with 16.15:1 ratio. Differential equipped with "limited slip" feature. Axle is rigidly mounted to frame.

**Rear Axle:**

Planetary drive/steer axle with 16.15:1 ratio. Differential is "limited slip" in rear axle. 1-1/2 degree oscillation in either direction.

**STEERING:**

Hydraulic steering unit with a cylinder attached to each axle. Rear axle is the primary steer. An electric switch on the operator's compartment is used to select rear-wheel steering, four-wheel steering round steer or crab steering. Electronic sensors & control box automatically align the steering when a new mode is selected.

**BRAKES:**

Primary braking from hydrostatic transmission. Foot-actuated wet-disc brakes in each axle for additional braking in some conditions. Lever-actuated parking brake to hold crane when not being driven

**TIRES:**

28x9-15 pneumatic tires. Pressurized to 120 PSI for crane rated loads.

**CHASSIS:****CARGO DECK:**

29 sq. ft. of deck area. 6,000 lbs. capacity on deck when load is centered over or between axles.

**CHASSIS: (Cont'd)****OUTRIGGERS:**

Four hydraulic outriggers of box-beam construction. Independent controls for each. Hydraulic cylinders are equipped with direct-connected holding valves.

**Lifting Rings**

Lifting rings at each corner of cargo deck so sling can be attached for lifting crane.

**Pulling Eye**

Mounted on front bumper.

**OPERATOR COMPARTMENT:**

Provides one-position access to all chassis & crane functions. Includes adjustable operator's seat, retracting seat belts, fire extinguisher & bubble level.

**ELECTRICAL:****12 Volt System****Lighting Package:**

One pair headlights and one pair taillights.

**Instrument Package:**

Fuel, ammeter, oil pressure, and water temperature gauges, hydraulic oil temperature gauge and hourmeter.

**Back-Up Alarm:**

Provides pulsating sound from 97dB alarm when transmission is in reverse.

**Outrigger Alarm System:**

Two-tone alarm is activated when "outrigger down" or "outrigger out" controls are operated.

**HYDRAULIC SYSTEM:**

Tandem pump mounted to rear of hydrostatic piston pump. Delivers 6 GPM at 2,600 PSI for boom circuits and 17 GPM at 2,500 PSI for hoist circuit. System protected by relief valves. Hydraulic oil reservoir has 14 gallon capacity.

**BOOM ASSEMBLY:**

Three-section boom assembly equipped with bearing pads, double-acting hydraulic cylinders extends boom. The primary extension cylinder and the double-acting boom elevation cylinder are equipped with direct connected holding valves. Boom angle indicator on side of boom.

**Boom Rotation:**

Heavy-duty ball bearing rotation gear with external teeth. Rotation is powered by hydraulic motor & worm gear drive.

**Boom Hoist:**

Turret mounted planetary gear hoist hydraulically powered with a bare drum line pull of 5,000 lbs. & a line speed of 86 FPM. Hoist includes 85 ft of 3/8 in wire rope, downhaul weight, swivel hook and sheave block for 2-part line.

**Anti-Two-Block Device:**

Prevents damage to hoist rope and/or crane components from pulling load hook against tip.

**Rated Capacity Limiter:**

Warns operator of impending overload with audible & visual signals. Prevents overload by stopping boom functions that cause overloads.

# IC-40-2B

## Options

Listed below are brief descriptions of options available for this product.  
Consult the IC-40-2B Engineering Spec for additional information.

**MODEL:**

IC-40-2B Industrial Crane

**ENGINE OPTIONS:****Spark Arrester Muffler**

Installed in addition to std. muffler.

**Engine Shut Down Gauges**

Shuts engine off when high water temperature or low engine oil pressure occurs for diesel only.

**TIRE OPTIONS:****Foam Filling of Tires****Spare Tire & Wheel, pneumatic****Foam Filling of Spare Tire****CHASSIS OPTIONS:****Auxiliary Winch**

Mounted behind the front bumper, hydraulically driven with control in operator's console (3,000 lbs @ 20 FPM).

**Pintle Hook - Rear**

Holland "T-60-A" pintle hook mounted on rear of frame. 5-ton capacity.

**Lifting Sling**

Sling to attach to Lifting Rings.

**Headlight & Taillight Grilles**

Welded steel protective grilles for headlights and taillights.

**Rearview Mirrors**

One mounted on right-hand deck stake and one mounted on left-hand deck stake.

**OPERATOR COMPARTMENT****OPTIONS:****All Weather Cab**

Rigid-mounted canopy section and removable hinged door with safety glass. Cab door adds 2. in to crane on operator's side. Includes heater, electric windshield wiper, one sliding glass window in the door, &amp; one fold out window in rear. Defroster fan &amp; dome light included.

**Cab Heater Only**

Heater with two-speed fan for units without All Weather Cab.

**Operator Guard**

Tubular steel weldment with heavy expanded steel mesh top section for units without All Weather Cabs.

**ELECTRICAL OPTIONS:****Strobe Lights**

Yellow strobe light mounted on each side of turret weight box.

**Boom Work Lights**

One work light mounted to boom to light boom tip and one work light mounted to turret to light ground under boom tip.

**BOOM ATTACHMENTS:****Boom Extension**

8 foot, boom stowable

**Boom Extension, Offset**

8 foot, boom stowable. Boom extension is offsettable to 3 different positions; 0 degree (in line), 15 degree and 30 degree offset.

**Searcher Hook - Nose Mount:**

2,000 lb capacity. Swivel hook with spring latch hangs from support structure projecting outward from boom tip.

Should you require an option or special equipment not listed please consult your dealer salesperson or BMC®.

**BRODERSON**

Manufacturing Corp.  
14741 West 106th Street  
Lenexa, KS 66215 USA

Tel (913) 888-0606  
Fax (913) 888-8431  
www.bmccranes.com

Dimensions and values shown are  
for reference purposes only.  
Specifications subject to change.

