

STANDARD COMPONENTS INCLUDE:

Boom, boom hoist cylinder, 2-speed winch, load line & 5 ton (4.5 mt) overhaul ball, turret, pedestal, dual operator control stations, LMI & ATB protection systems, sub-frame, a-frame link outriggers, a-frame rear stabilizers, hydraulic reservoir and boom rest.

HYDRAULICS

- 8-Bolt direct mounted PTO with SAE-B or SAE B-B output
- Three-section gear pump, SAE B-B input (standard)

Pump Section	2000 RPM	2000 RPM
Shaft End Pump:	32.4 GPM @ 100 PSI	123 LPM @ 100 PSI
Center Pump:	20.6 GPM @ 100 PSI	78 LPM @ 100 PSI
Cover End Pump:	10 GPM @ 100 PSI	38 LPM @ 100 PSI

- Hydraulic reservoir - 70 gallon (265 liter) capacity

WARNING SYSTEMS

- Wireless LMI with display and crane function shut-offs for overload protection
- Wireless anti-two block system

OPTIONS

- Wired LMI and ATB system
- Hycas hydraulic overload protection system with crane function shut-offs for main boom lifting operations.
- Wireless load cell and display for load monitoring (included with jib)
- 20' (6,1 m) Fixed jib
- 20' (6,1 m) - 34' (10,4 m) 2-Section telescopic jib
- Rotation resistant wire rope, 9/16" (14,3 mm) diameter
- Load block - 1 or 3 sheave
- Front center stabilizer for 360° work area
- Hydraulic Oil cooler
- Three section vane pump, SAE B input
- Hose reel - boom mounted
- Toolboxes
 - 24" L x 20" W x 18" H (610 mm x 508 mm x 457 mm)
 - 48" L x 18" W x 18" H (1220 mm x 457 mm x 457 mm)
- 2-Person gravity leveled non-rotating basket - 600 lb (272 kg) capacity
- 2-Person gravity leveled rotating (manual) basket – 1,200 lb (544 kg) capacity
- 4-Function radio remote crane control system

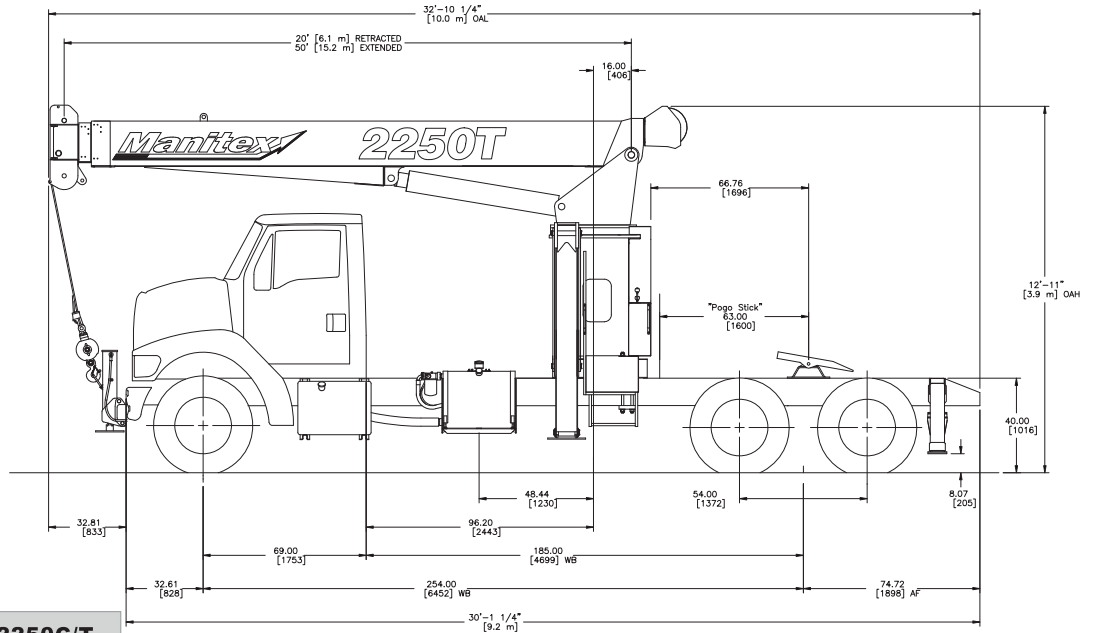
BOOM

- 22 Ton (19,9 mt) capacity @ 5' (1,5 m) radius
- 3-Section 20'-50' (6,1 m - 15,2 m) proportional boom
- 3-Sheave quick reeve boom point

HOIST

- Maximum theoretical line speed 300 fpm (91 mpm)
- Maximum theoretical bottom-layer line pull 11,500 lb (5,216 kg)
- Wire Rope – 300' (91,4 m) of 9/16" (14,3 mm) diameter 6 x 25 EIPS IWRC

In order to ensure continuous improvement, Manitex reserves the right to change design and specifications without notice.



CHASSIS DATA	2250C/T
Wheelbase (WB)	254" [6 452 mm]
Cab to Tandem (CT)	185" [4 699 mm]
After Frame (AF)	70" [1 778 mm]
Frame Section Modulus*	30 in ³ 110,000 psi 758 423 kPa
Front Axle Gross Weight Rating	20,000 lb 9 072 kg
Rear Axle Gross Weight Rating	40,000 lb 18 144 kg
Minimum Truck Axle Weight - Front**	consult factory
Minimum Truck Axle Weight - Back**	consult factory
Nominal Frame Width	34" [864 mm]

*Also applies to front frame extensions for single front stabilizer.
 **Minimum chassis weight is required to meet 85% stability requirements.
 Chassis data is general not for engineering. Some dimensions depend on truck selection.

WEIGHTS	2250C/T
Total Crane - Standard	13,050 lb 5 920 kg
Tractor Subframe	319 lb 145 kg
Telescopic Jib	939.2 lb 426 kg
Fixed JIB	615 lb 279 kg

*Optional for conventional mounted

MAXIMUM TIP HEIGHT (A)	2250C/T
Configuration	Boom 50' 15.2 m
Extended Boom	61' 6" 18.7 m
Fixed or Retracted Jib	81' 11" 25 m
Extended Jib	95' 8" 29.2 m

