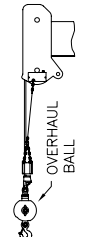
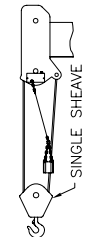
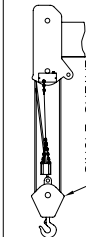





LOAD RATINGS IN LBS WITH OUTRIGGERS AND STABILIZERS EXTENDED										JIB LOAD RATINGS WITH OUTRIGGERS AND STABILIZERS EXTENDED									
LMI CODE #1										FIXED JIB					TELESCOPIC JIB				
OPERATING RADIUS FT	BOOM ANGLE	BOOM LENGTH AND MARKER	A		B		C		D		LMI CODE #2	LMI CODE #3	LMI CODE #4	LMI CODE #2	LMI CODE #3	LMI CODE #4	LMI CODE #2	LMI CODE #3	LMI CODE #4
			52 FT	68 FT	84 FT	100 FT	30.5 FT	30.5 FT	55 FT										
5.5	80	60000																	
8	75	45200																	
10	71	38700																	
12	67	33800	78	27100															
15	61	28600	74	25200	79	23300													
20	48	22500	68	19800	74	18320	78	17040	80	14000									
25	32	16970	62	16220	70	14940	74	13940	78	12260									
30			55	13660	65	12580	71	11650	75	10680	30	79	6700	79	6400				
35			48	11140	60	10850	67	10050	72	9280	35	76	6200	76	5850	80	4000		
40			39	8650	55	8790	63	8700	69	8110	40	74	5630	74	5250	78	3850		
45			28	6750	49	6910	59	7030	65	7080	45	72	5060	72	4670	76	3700		
50					43	5500	55	5630	62	5700	50	70	4560	70	4160	74	3550		
55					36	4400	50	4530	59	4610	55	67	4130	67	3710	72	3310		
60					27	3530	46	3650	55	3740	60	65	3730	65	3300	70	3020		
65					12	2790	40	2950	51	3030	65	63	3300	63	2860	68	2730		
70							34	2350	47	2440	70	60	2710	60	2300	66	2480		
75							27	1850	43	1940	75	57	2200	57	1800	64	2240		
80							15	1410	38	1510	80	55	1760	55	1370	62	2030		
85									33	1130	85	52	1390	52	990	60	1670		
90									26	800	90	49	1060	49	660	57	1340		
95											95	46	770			55	1040		
100											100					53	780		
		600 LBS	350 LBS	270 LBS	220 LBS	180 LBS	DEDUCTIONS FOR STOWED FIXED JIB												
		900 LBS	530 LBS	400 LBS	330 LBS	290 LBS	DEDUCTIONS FOR STOWED TELESCOPIC JIB												

ALLOWABLE LINE PULL					
1 PART LINE	2 PART LINE	3 PART LINE	4 PART LINE	5 PART LINE	6 PART LINE
					
9080 LBS	18160 LBS	27240 LBS	36320 LBS	45400 LBS	54480 LBS
10000 LBS	20000 LBS	30000 LBS	40000 LBS	50000 LBS	60000 LBS

WARNING

ANTI-TWO-BLOCK SYSTEM MUST BE IN GOOD OPERATING CONDITION BEFORE OPERATING CRANE. REFER TO OWNER'S MANUAL.

KEEP AT LEAST 3 WRAPS OF LOAD LINE ON DRUM AT ALL TIMES.

5/8" ROT RESISTANT (5.0:1 S.F.)
45400 LBS. MIN BREAKING STRENGTH

5/8" - 6 X 25 IWRC (3.5:1 S.F.)
35000 LBS. MIN BREAKING STRENGTH

- ### WARNING
- THE OPERATOR MUST READ AND UNDERSTAND THE OWNER'S MANUAL BEFORE OPERATING THIS CRANE.
 - POSITIONING OR OPERATION OF CRANE BEYOND AREAS SHOWN ON THIS CHART IS NOT INTENDED OR APPROVED EXCEPT WHERE SPECIFIED IN OWNER'S MANUAL.
 - LOADED BOOM ANGLES AT SPECIFIED BOOM LENGTHS GIVE ONLY AN APPROXIMATION OF THE OPERATING RADIUS. THE BOOM ANGLE BEFORE LOADING SHOULD BE GREATER TO ACCOUNT FOR DEFLECTIONS. DO NOT EXCEED THE OPERATING RADIUS FOR RATED LOADS.
 - THE OPERATING RADIUS SHOWN IN THE JIB RATING CHART IS FOR FULLY EXTENDED BOOM ONLY. WHEN BOOM IS NOT FULLY EXTENDED, USE ONLY LOADED BOOM ANGLE TO DETERMINE LOAD RATING OF JIB.
 - BOOM MUST BE FULLY RETRACTED WHEN JIB IS ERECTED, BEFORE LOWERING BOOM THRU THIS AREA.
 - FOR BOOM ANGLES NOT SHOWN ON JIB LOAD RATING CHART, USE RATING OF NEXT LOWER BOOM ANGLE.
 - FOR BOOM LENGTHS NOT SHOWN, USE THE RATING OF NEXT SHORTER OR LONGER BOOM LENGTH, WHICHEVER IS LESS. FOR RADII NOT SHOWN, USE RATING OF NEXT LONGER RADIUS.
 - CRANE LOAD RATINGS ON OUTRIGGERS ARE BASED ON FREELY SUSPENDED LOADS WITH THE MACHINE LEVELED AND STANDING ON A FIRM UNIFORM SUPPORTING SURFACE. NO ATTEMPT SHALL BE MADE TO MOVE A LOAD HORIZONTALLY ON THE GROUND IN ANY DIRECTION.
 - PRACTICAL WORKING LOADS DEPEND ON SUPPORTING SURFACE, WIND, AND OTHER FACTORS AFFECTING STABILITY SUCH AS HAZARDOUS SURROUNDINGS, EXPERIENCE OF PERSONNEL, AND PROPER HANDLING, ALL OF WHICH MUST BE TAKEN INTO ACCOUNT BY THE OPERATOR.
 - THE MAXIMUM LOAD WHICH MAY BE TELESCOPED IS LIMITED BY HYDRAULIC PRESSURE, BOOM ANGLE, AND BOOM LUBRICATION. IT IS SAFE TO ATTEMPT TO TELESCOPE ANY LOAD WITHIN THE LIMITS OF THE LOAD RATING CHART.

- ### INFORMATION
- DEDUCTIONS MUST BE MADE FROM RATED LOADS FOR STOWED JIB, OPTIONAL ATTACHMENTS, HOOKS, AND LOAD-BLOCKS (SEE DEDUCTION CHART). WEIGHTS OF SLINGS AND ALL OTHER LOAD HANDLING DEVICES SHALL BE CONSIDERED A PART OF THE LOAD.
 - CRANE LOAD RATINGS ARE BASED ON OUTRIGGERS AND STABILIZERS EXTENDED AND SET WITH MACHINE LEVELED.
 - LOAD RATINGS ABOVE THE HEAVY LINE ARE STRUCTURALLY LIMITED CAPACITIES. LOAD RATINGS BELOW THE HEAVY LINE ARE STABILITY LIMITED CAPACITIES AND DO NOT EXCEED 85% OF TIPPING.
- ### DEFINITIONS
- OPERATING RADIUS IS THE HORIZONTAL DISTANCE FROM THE AXIS OF ROTATION TO THE CENTER OF THE VERTICAL HOIST LINE OR TACKLE WITH LOAD APPLIED.
 - LOADED BOOM ANGLE AS SHOWN IN THE COLUMN HEADED BY \angle , IS THE INCLUDED ANGLE BETWEEN THE HORIZONTAL AND LONGITUDINAL AXES OF THE BOOM BASE AFTER LIFTING RATED LOAD AT RATED RADIUS.

DEDUCTIONS FROM RATED LOADS FOR LOAD HANDLING DEVICES SUPPLIED BY MANITOWOC BOOM TRUCKS, INC.

AUXILIARY BLOCK	-----	50 LBS
OVERHAUL BALL	-----	SEE OVERHAUL BALL MFR. NAMEPLATE
LOAD BLOCK	-----	SEE BLOCK MFR. NAMEPLATE
HOSE REEL	-----	260 LBS
SWING AROUND JIB	-----	SEE LOAD CHART

WARNING

LIFTING OFF THE MAIN BOOM POINT WHILE THE SWING AROUND JIB IS ERECTED IS NOT INTENDED OR APPROVED.

DS-50 LMI OPERATING CODES

SETTING	CRANE CONFIGURATION	SETTING	CRANE WITH PERSONNEL LIFTING PLATFORM
#1---	MAIN BOOM	#5---	PERSONNEL LIFTING PLATFORM ON MAIN BOOM
#2---	FIXED JIB	#6---	PERSONNEL LIFTING PLATFORM ON FIXED JIB
#3---	TELESCOPIC JIB-RETRACTED	#7---	PERSONNEL LIFTING PLATFORM ON TELESCOPIC JIB-RETRACTED
#4---	TELESCOPIC JIB-EXTENDED	#8---	PERSONNEL LIFTING PLATFORM ON TELESCOPIC-JIB EXTENDED

NOTE: CODES DO NOT APPLY FOR DS-150 LMI SYSTEMS, SEE OPERATOR CONSOLE FOR PROPER CONFIGURATION SETTINGS.



Boom Trucks
MODELS 30100C & 30100T

CRANE MEETS ANSI B30.5 REQUIREMENTS
7300055-008 NR

